

INSTRUCTION SHEET



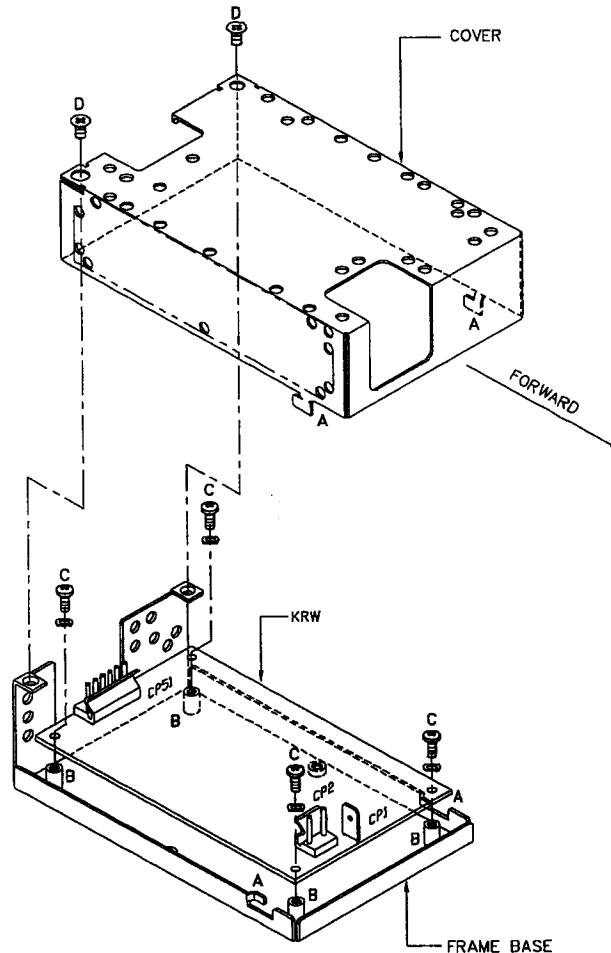
KEPCO An ISO 9001 Company.

CA 29
COVER

ENCLOSURES AND HARDWARE SYSTEMS

DESCRIPTION. The Kepco Model CA 29 Cover (see Figure 1 below) is supplied for use with Kepco 350KV Series Power Supplies. The easily installed, two-part steel cover is an option designed for shielding and protection. Required installation hardware is provided. Refer to Figure 2 for outline dimensions.

- 1 Remove cover from frame base by removing tape (not shown), disengaging tabs marked (A), and sliding cover forward.
- 2 Remove and retain hardware from poly bag (not shown) taped to frame base.
- 3 Position KRW 350KV Power Supply over the four threaded spacers on the frame base marked (B), as indicated.
- 4 Fasten KRW 350KV Power Supply to frame base with four M3x8 Binding head Phillips screws (PN 101-0434) marked (C), and four #4 lockwashers (PN 103-0014).
- 5 Drop cover in place by engaging tabs marked (A) and sliding cover backward. Attach frame base to cover with two M3 x 10mm Truss head Phillips screws (PN 101-0477) marked (D).
- 6 Connections to CP1, 2, and 51 are via cutouts on cover top.

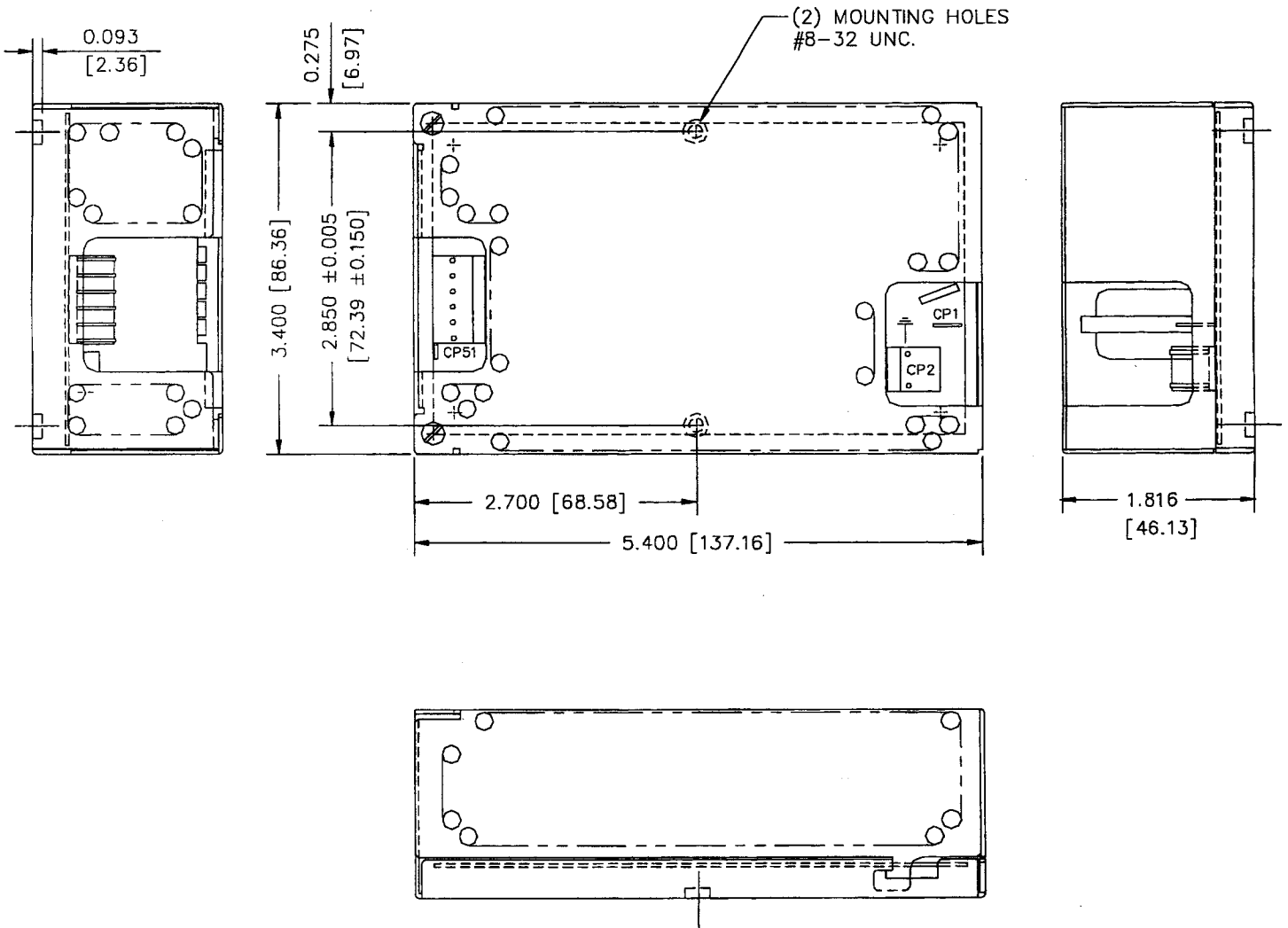


M18971

FIGURE 1. COVER INSTALLATION

NOTES:

1. DIMENSIONS IN PARENTHESES ARE IN MILLIMETERS.
2. SCREW FOR 8-32 MOUNTING HOLES NOT TO BE SCREWED IN MORE THEN 0.27(7.0) FROM FRAME SURFACE.
3. ± 0.04 (± 1) TOLERANCE UNLESS OTHERWISE SPECIFIED.



3040674

FIGURE 2. MECHANICAL OUTLINE DRAWING